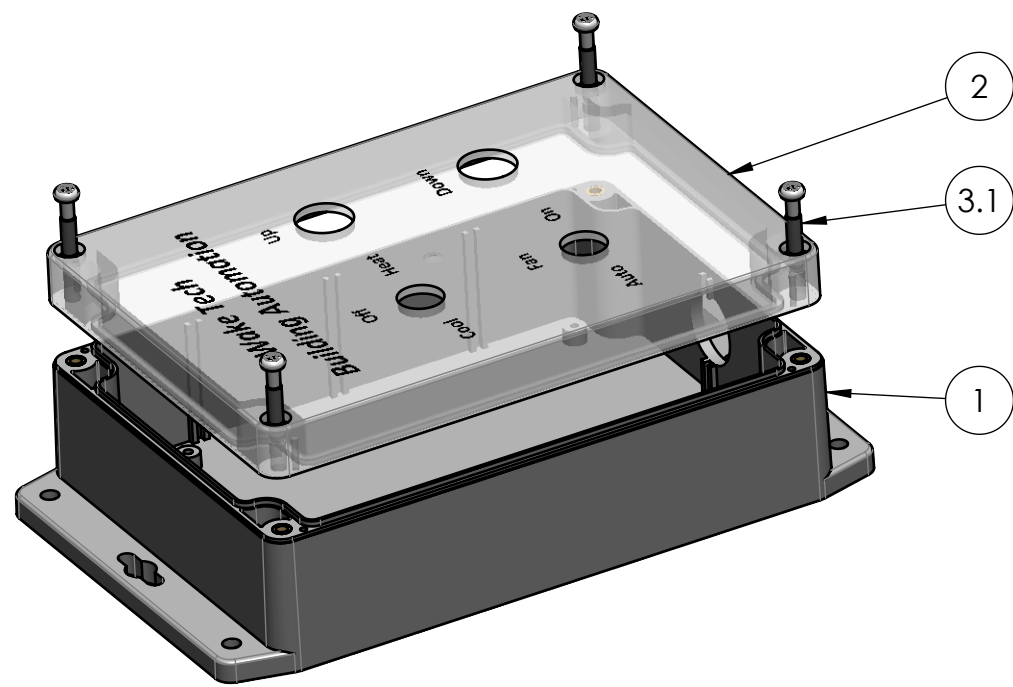
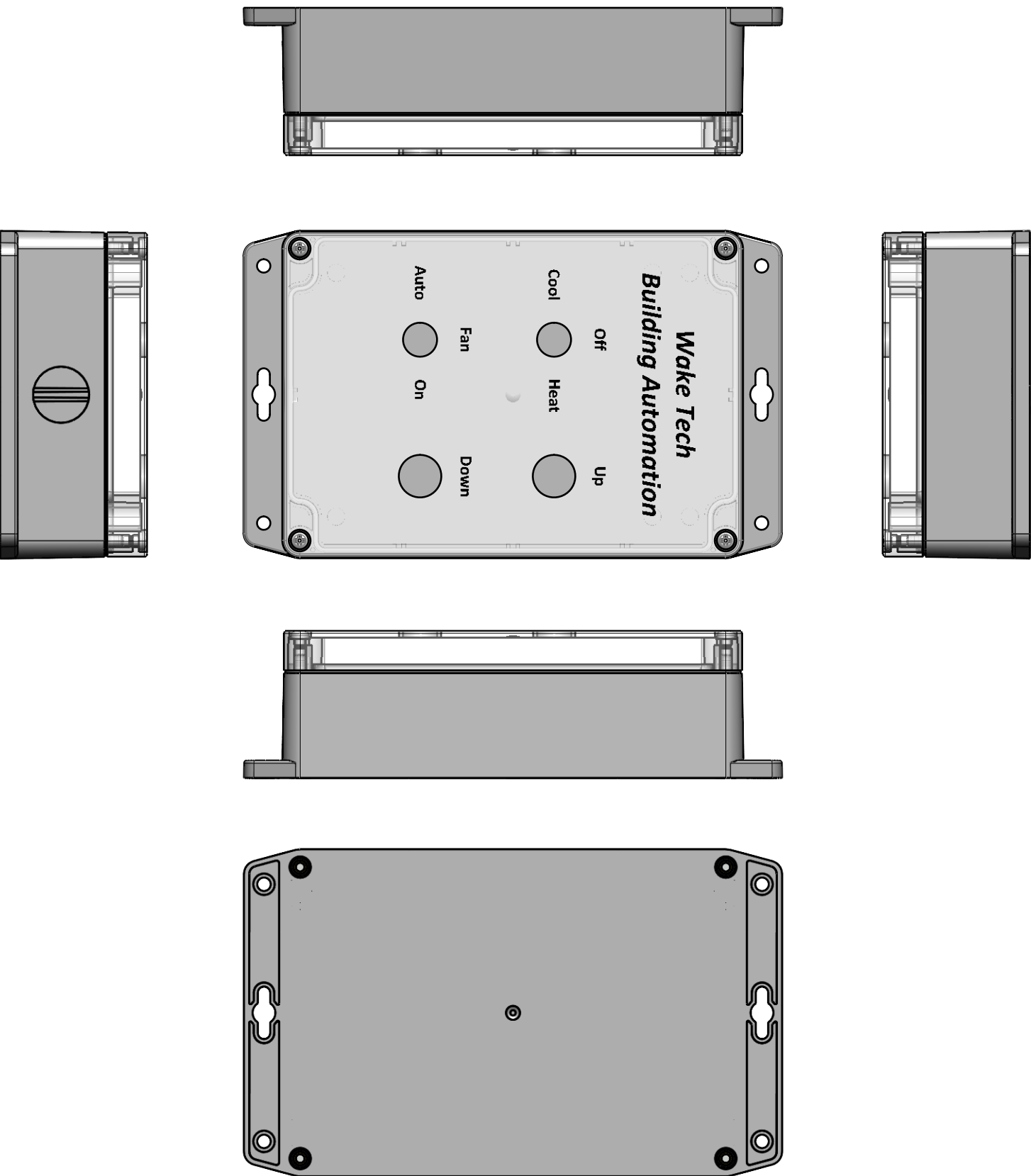


8 7 6 5 4 3 2 1

BOM Table					
ITEM NO.	PART NUMBER	Rev.	Product	Color	QTY.
1	J-26827AB*15	0	WP-24BF*15	LIGHT GRAY	1
2	JG-26827AC*08	0	WC-24C*08	CLEAR	1
3	SCREWS-SSM4-20-4	0			1
3.1	SCREWS-SSM4-20	0			4

D
C
B
A



REV.	DESCRIPTION	ZONE	BY	APPR'D	DATE
	REVISIONS				

<small>UNLESS OTHERWISE SPECIFIED: DIMENSIONS ARE IN: INCHES[mm] TOLERANCES: ANGULAR: ±2° TWO PLACE DECIMAL: ±.010 THREE PLACE DECIMAL: ±.005 PRINTED GRAPHICS: ±.010</small>	PART NO. JG-26827A*1508		 <small>1305 CHESTER IND. PARKWAY AVON, OHIO 44011-1083 U.S.A. PH#: 1-800-248-1233, 440-934-0444 FAX#: 440-934-0088</small>									
	PRODUCT											
<small>PROPRIETARY AND CONFIDENTIAL THE INFORMATION CONTAINED IN THIS DRAWING IS THE SOLE PROPERTY OF POLYCASE. ANY REPRODUCTION IN PART OR AS A WHOLE WITHOUT THE WRITTEN PERMISSION OF POLYCASE IS PROHIBITED. CAD FILE: 26827A</small>	CLIENT Wake Technical	SIZE B	Secondary Operations Drawing									
	<table border="1"> <tr> <th>DRAWN</th> <th>NAME</th> <th>DATE</th> </tr> <tr> <td>S.T.S.</td> <td></td> <td>2/27/2023</td> </tr> <tr> <th>CHECKED</th> <th>R.W.H.</th> <th>2/28/2023</th> </tr> </table>	DRAWN	NAME	DATE	S.T.S.		2/27/2023	CHECKED	R.W.H.	2/28/2023	REV 0	SCALE: 1:2
DRAWN	NAME	DATE										
S.T.S.		2/27/2023										
CHECKED	R.W.H.	2/28/2023										

8 7 6 5 4 3 2 1